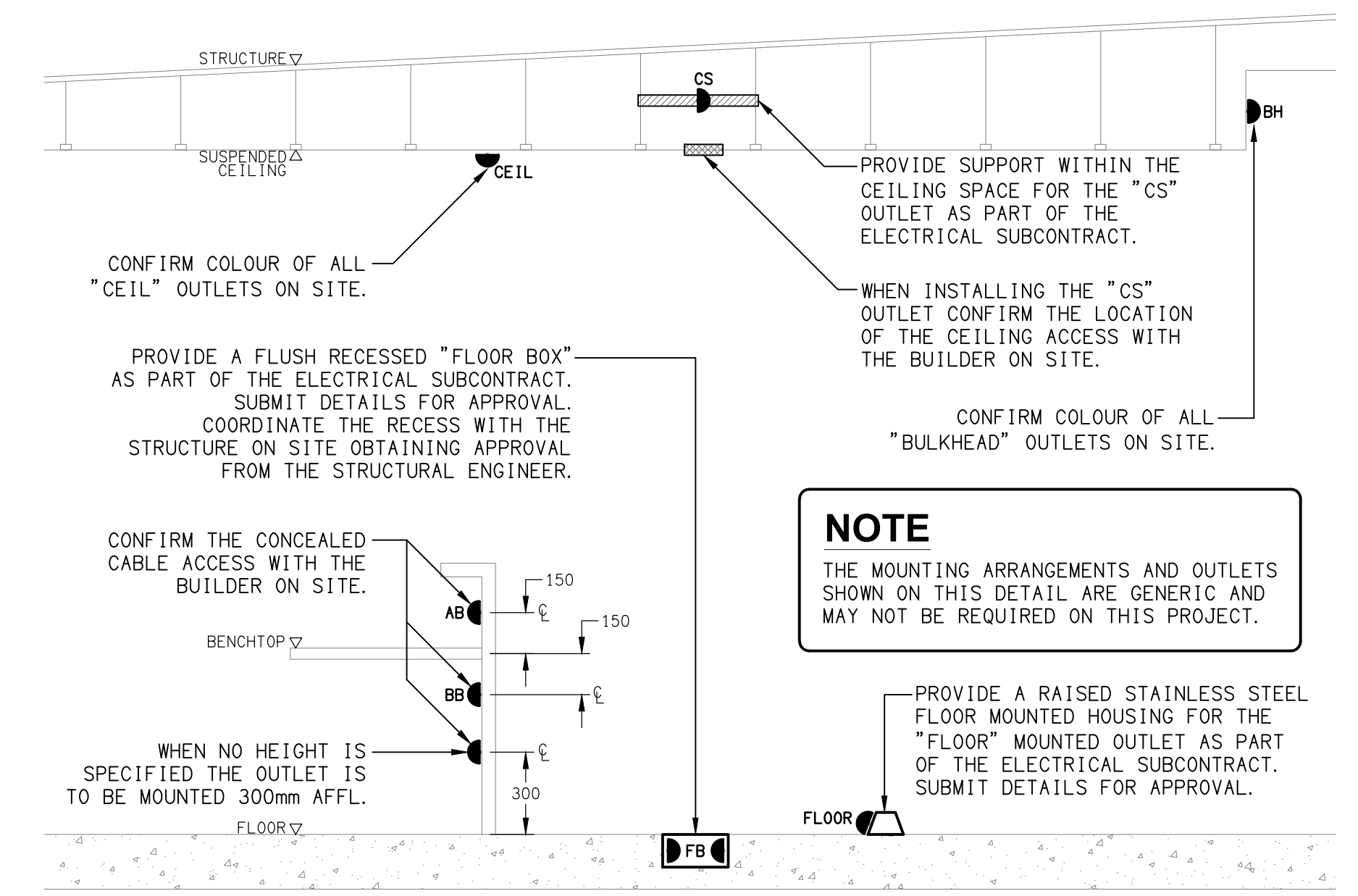
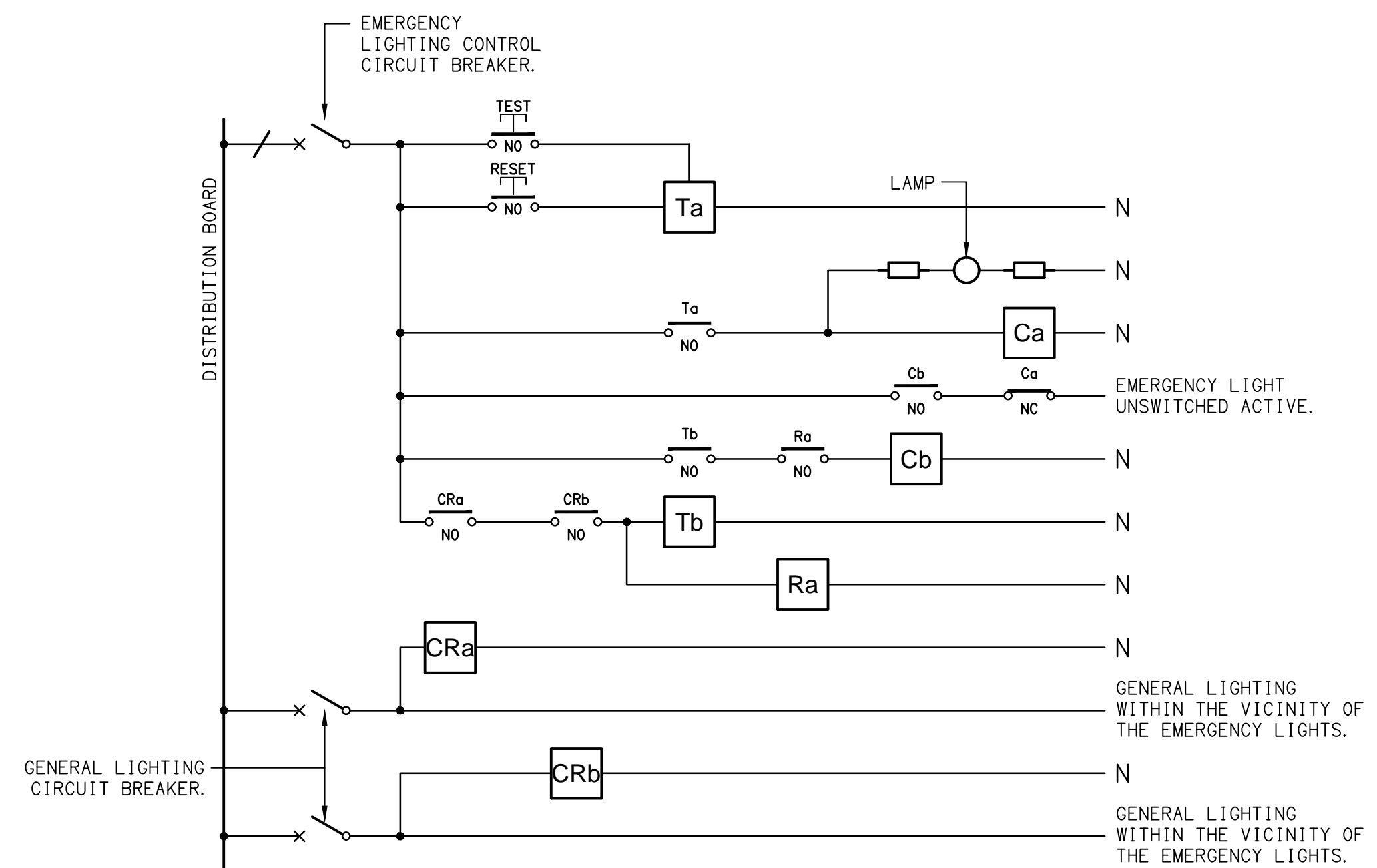


**DETAIL**  
COOL ROOM CONDUIT PENETRATION  
NOT TO SCALE



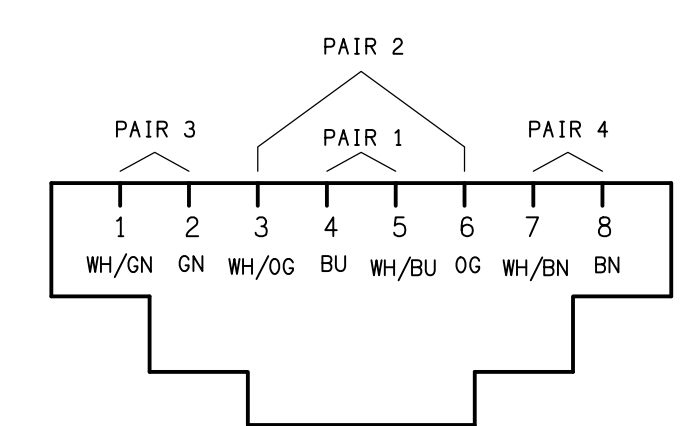
**DETAIL**  
TYPICAL OUTLET MOUNTINGS  
NOT TO SCALE

- EQUIPMENT:**
- TEST - TEST PUSH BUTTON MOUNTED ON THE DISTRIBUTION BOARD ESCUTCHEON.
  - RESET - RESET PUSH BUTTON MOUNTED ON THE DISTRIBUTION BOARD ESCUTCHEON.
  - LAMP - AMBER TEST INDICATING LAMP MOUNTED ON THE DISTRIBUTION BOARD ESCUTCHEON.
  - Ta - ADJUSTABLE 0-3 HOUR TIMED RELAY.
  - Tb - 15 MINUTE RUN-ON TIMER TO OPERATE UPON THE RETURN OF MAINS POWER.
  - Cx - CONTACTOR x.
  - CRx - CONTROL RELAY x.
  - Rx - RELAY x.

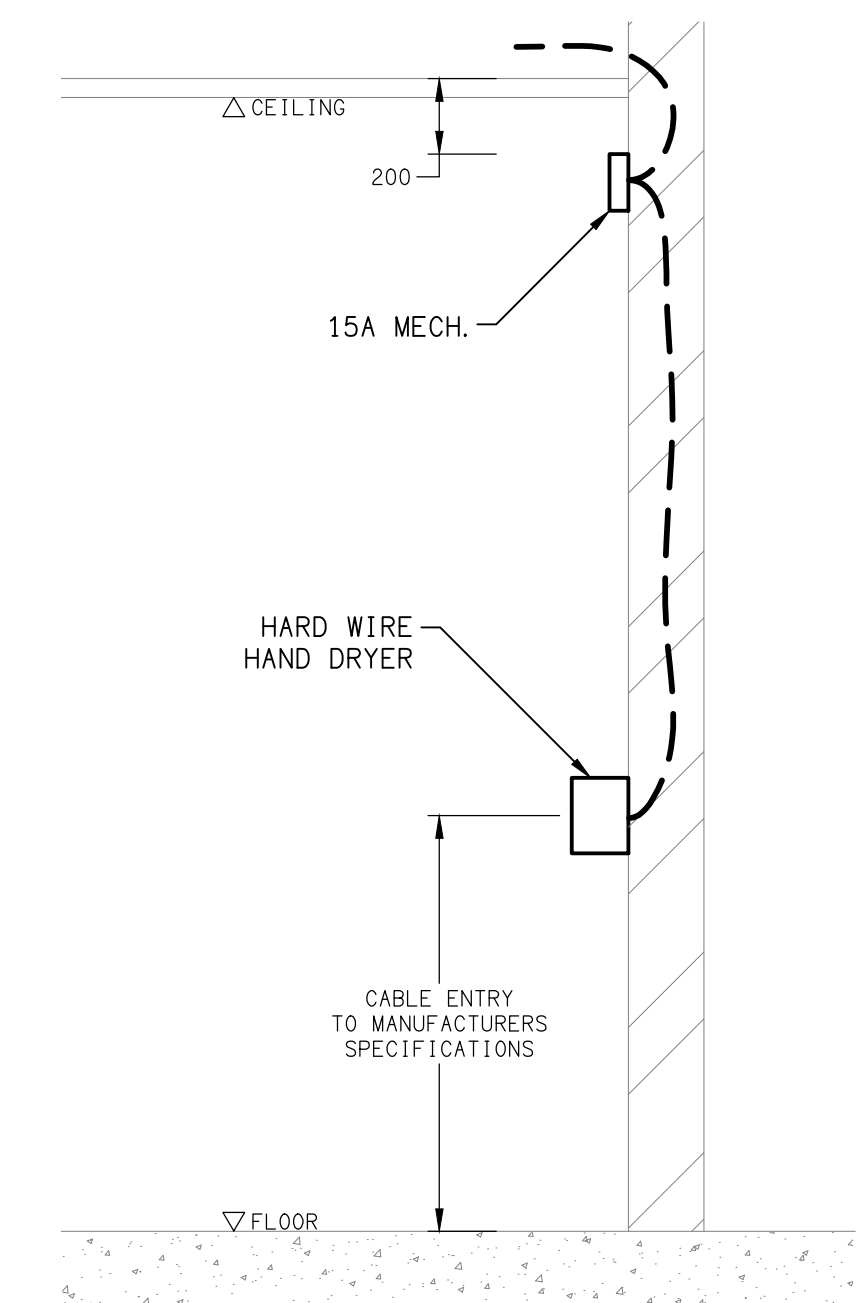


**SCHEMATIC**  
EMERGENCY LIGHTING  
NOT TO SCALE

- NOTES**
- THE EMERGENCY LIGHT UNSWITCHED ACTIVE / GENERAL LIGHTING SWITCHED ACTIVE CIRCUIT ARRANGEMENT AND CONTROL IS TYPICAL FOR ALL CIRCUITS SUPPLYING EMERGENCY LIGHTS.
  - PROVIDE ADDITIONAL CONTROL RELAYS (CRx) CONFIGURED AS PER CRa AND CRb FOR ALL ADDITIONAL LIGHTING CIRCUITS THAT SUPPLY LIGHTS IN THE VICINITY OF THE EMERGENCY LIGHTS.



**SCHEMATIC**  
RJ45 PINOUT CONFIGURATION  
NOT TO SCALE



**DETAIL**  
HAND DRYER CONNECTION  
NOT TO SCALE

ELECTRICAL DESIGN GROUP BRISBANE PTY LTD  
ACN 092 710 793  
TRADING AS:  
ELECTRICAL DESIGN GROUP

THE COPYRIGHT OF THIS DRAWING REMAINS THE PROPERTY OF THE ELECTRICAL DESIGN GROUP.  
USE FIGURED DIMENSIONS IN PREFERENCE TO SCALE.  
ALL DIMENSIONS TO BE VERIFIED ONSITE.

**ELECTRICAL DESIGN GROUP**  
ELECTRICAL BUILDING SERVICES CONSULTANTS  
BRISBANE GOLD COAST  
P.O. Box 15, Sherwood Q.4075  
Phone: (07) 3278 4375  
Email: brisbane@edg.net.au  
Web: www.edg.net.au

PROJECT:  
**REDLANDS SPORTING CLUB REFURBISHMENT**  
ANSON ROAD, WELLINGTON POINT, QUEENSLAND

REV: A	PRELIMINARY	10/04/2024
REV: DESCRIPTION:		DATE:
DRAWING: <b>ELECTRICAL SERVICES DETAILS &amp; SCHEMATICS</b>		
SCALE: NOT TO SCALE AT A1	PROJECT NO: <b>C3204a</b>	DRAWING NO: <b>E03</b>
		REVISION: <b>A</b>